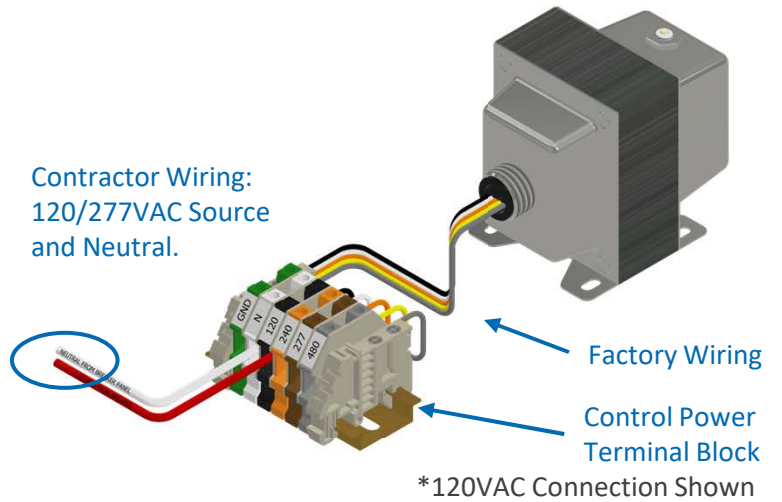


DMX SERIES

LIGHTING CONTROL PANEL



DMX Control Cable (Belden 9841)



APPLICATION OVERVIEW

The NexLight® DMX Series lighting control panel provides control of DMX controllable lighting by combining two powerful and reliable control systems, Pharos Architectural and NexLight. The DMX Series provides versatile control as a standard offering from NexLight, with configurations available in 1, 2 or 4 universes. These lighting control panels come in a NEMA/Type 1 enclosure and are factory wired in NexLight's UL508A shop, ready to accept DMX control cable (Belden 9841). Networking multiple panels together using the global addressing feature provides seamless control from a single platform allowing for full integration between DMX fixtures and traditional lighting fixtures. The easy-to-use Graphic User Interface (GUI) may be accessed through a Personal Computer (PC) for real-time programming, monitoring and override of your traditional lighting loads or DMX timelines. The scheduling function is also accessed through the GUI and provides the end user with full control of the system whether on-site or from a remote location.

APPLICATION HIGHLIGHTS

- Includes a comprehensive set of pre-loaded timelines and schedules
- The power of Pharos Architectural combined with the reliability of NexLight
- Full Integration of DMX Lighting with Traditional Building Lighting
- Fixture brand agnostic programming capabilities
- BACnet connectivity for BMS available by adding *NXL-BMS* accessory panel
- Graphic User Interface through a PC with a built-in Real Time Clock (RTC) for scheduling